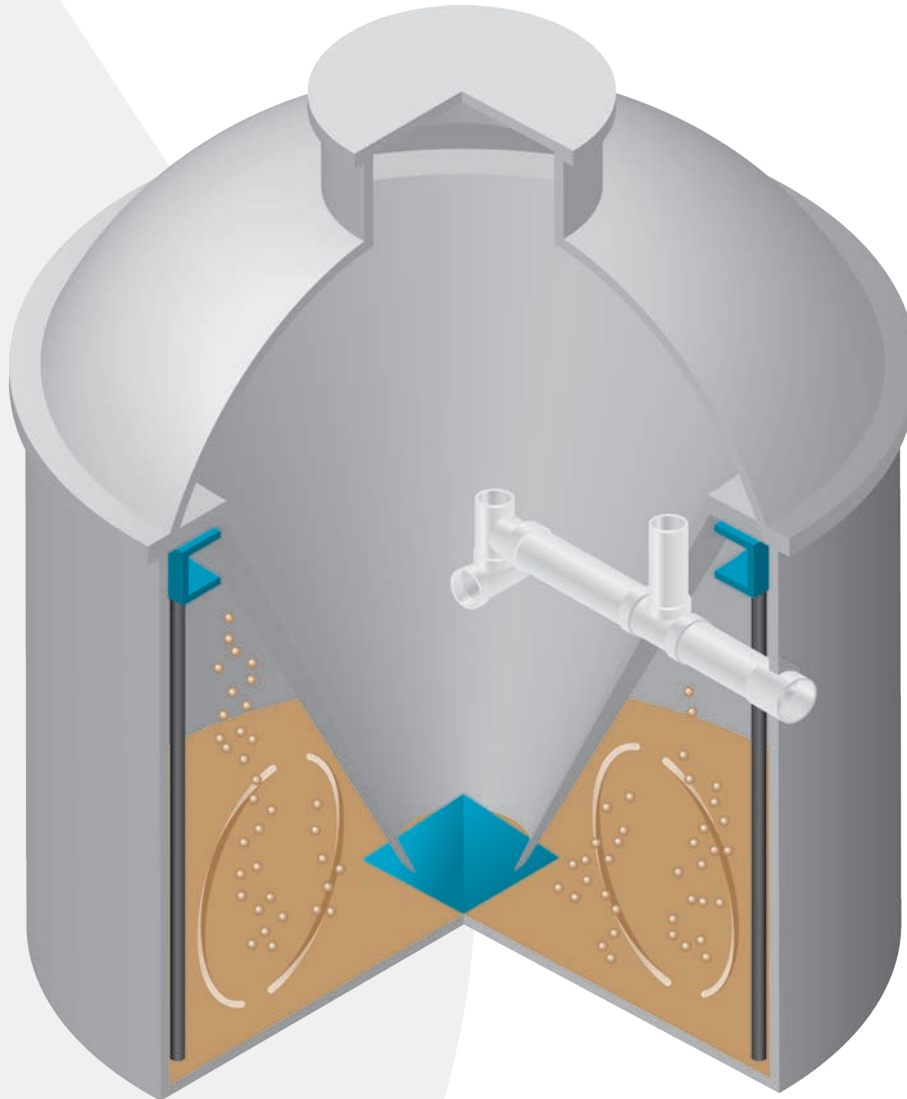




A wholly owned subsidiary of Infiltrator Water Technologies, LLC



# DELTA TREATMENT SYSTEMS WHITEWATER DF SERIES AEROBIC TREATMENT UNITS



NSF's certification program is accredited by the American National Standards Institute



Certified to NSF/ANSI Standard 40

# DELTA TREATMENT SYSTEMS

## Aerobic Treatment Units

### The Difference is Clear.

The clear choice for wastewater on-site disposal system is the Whitewater® DF Series and UC Series Aerobic Treatment Unit (ATU). The Whitewater UC Series ATU was tested under Standard 40 of NSF/ANSI and met and exceeded Class I requirements with an average effluent quality of 6 mg/L BOD5 and 8 mg/L TSS.

### How The WHITEWATER® Aerobic Treatment Unit Works.

Whitewater works by using the bacteria nature provides. As a result of air being pumped into the system, the bacteria thrive and grow in much greater numbers than would occur naturally. This "overpopulation" of bacteria speeds the process of breaking down the sewage, making it safe for release into the environment.

The process occurs entirely within the self-contained Whitewater ATU which is comprised of an outer mixing tank and a cone-shaped settling chamber. Raw, unsettled domestic wastewater enters directly into the mixing tank where mixing occurs through an air distribution system.

The mixed liquid then enters the settling chamber from the bottom. The settling chamber maintains a quiet condition which allows solids to settle down and re-enter the mixing chamber for more processing. The liquid is hydraulically displaced upward and is discharged as clear, odorless treated water which meets or exceeds permit requirements.

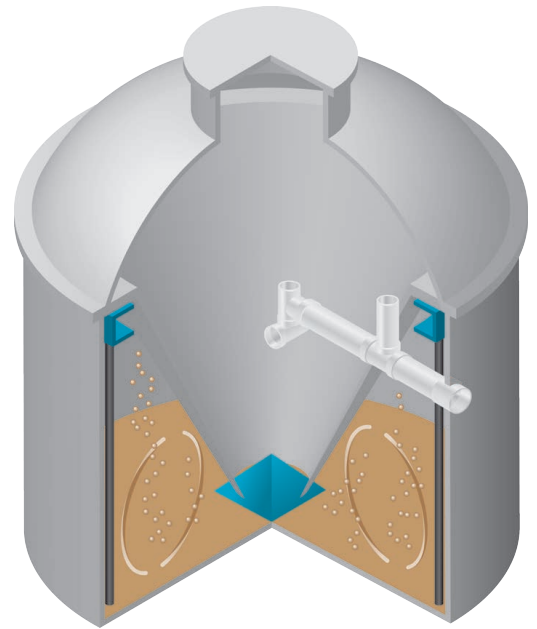
### WHITEWATER for Specific Uses.

Whitewater Aerobic Treatment Units are manufactured to specifications according to wastewater flow requirements. Units are available in the following sizes:

- Model DF40 treating 400 gallons per day
- Model DF50 treating 500 gallons per day
- Model UC50 treating 500 gallons per day
- Model DF60 treating 600 gallons per day
- Model DF75 treating 750 gallons per day
- Model UC90 treating 900 gallons per day
- Model DF100 treating 1000 gallons per day
- Model UC120 treating 1200 gallons per day
- Model DF150 treating 1500 gallons per day

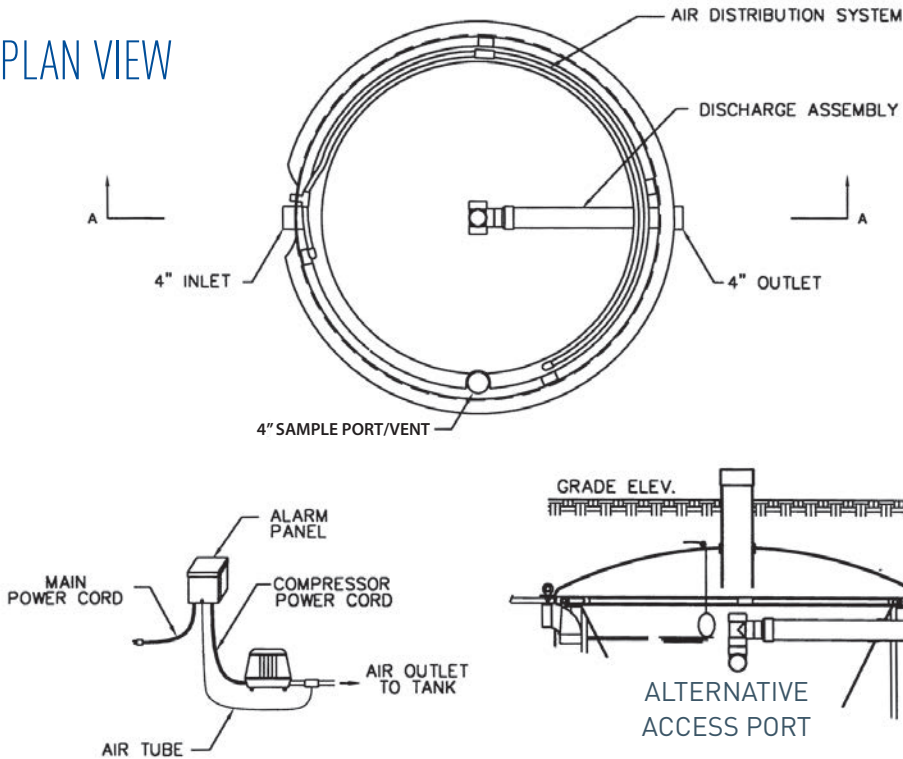
Where larger wastewater flow requirements are required, Whitewater Modular Systems are available

**WHITEWATER®**  
DF SERIES



# Pump Features and Applications

## PLAN VIEW



## Why Use a WHITEWATER® Aerobic Treatment Unit?

- NSF/ANSI 40
- Disposes of wastewater quietly, efficiently, and with no odor
- DF40, UC50 & DF50 operate on same power as a light bulb
- FHA and VA acceptable
- State approved and accepted by sanitarians
- Low initial capital cost & operation
- No inner tank filters, screens or diffusers to service
- For use where conventional septics are inadequate
- Unit provides 90% reduction of viruses; 99% reduction of viruses with disinfection
- 2 year limited warranty

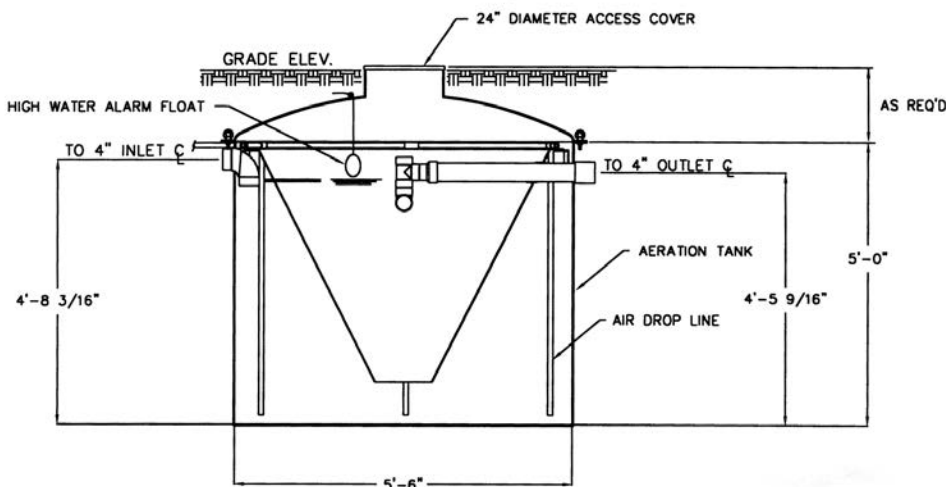
## Manufactured According to Need.

Two choices of fabrication are offered, consistent with your preference or regulatory requirements:

- Solid fiberglass tank with fiberglass cover
- Concrete tank with concrete cover\*.

\*Based on regional availability

## SECTION A-A



### Design Components Material Specifications

Shown is the WHITEWATER MODEL DF50 (right)

Treatment Capacity	500 GPD
Volumetric Capacity	916 Gallons
Electrical Requirement	85 Watts, 115/1/60
Aerator-Whitewater Compressor	DF50

# Other Delta Treatment Systems Products

A respected leader in wastewater treatment with decades of technical design and manufacturing experience, Delta Treatment Systems is committed to the continuing development of new products in the 21st century.



## Distributor Network

Whitewater® Aerobic Treatment Units and accessories are sold, installed and serviced by certified distributors who are fully trained to provide all necessary components and to ensure professional installation.



9125 Comar Drive, Walker, LA 70785, 1 (800) 219-9183 | [WWW.DELTATREATMENT.COM](http://WWW.DELTATREATMENT.COM)

Because we are continuously improving our products and services, Delta Treatment Systems reserves the right to change specifications without prior notice.  
DTS-014 04/2018 © 2018 Delta Treatment Systems, LLC. All Rights Reserved.