



MYERS[®]
MODELS 4WHV & V4WHV
4" SOLIDS HANDLING WASTEWATER PUMPS
HORIZONTAL AND VERTICAL DISCHARGE



MYERS® MODELS 4WHV & V4WHV

4" Solids Handling Pumps

Ideal for Light to Medium Commercial Installations

The 4WHV and V4WHV series solids handling pumps are designed primarily for commercial applications such as schools and churches, industrial plants, shopping centers, apartments and condominiums, marinas, interstate rest stops, sewage collection systems, campgrounds, motels, restaurants, office and commercial buildings, state and federal parks, hospitals and nursing homes, dewatering, trailer parks and treatment plants.

This pump can be installed on legs (vertical discharge) or with a quick-disconnect slide rail system. Its ability to handle 3-inch spherical solids makes it ideal for most light to medium commercial installations.



Product Capabilities

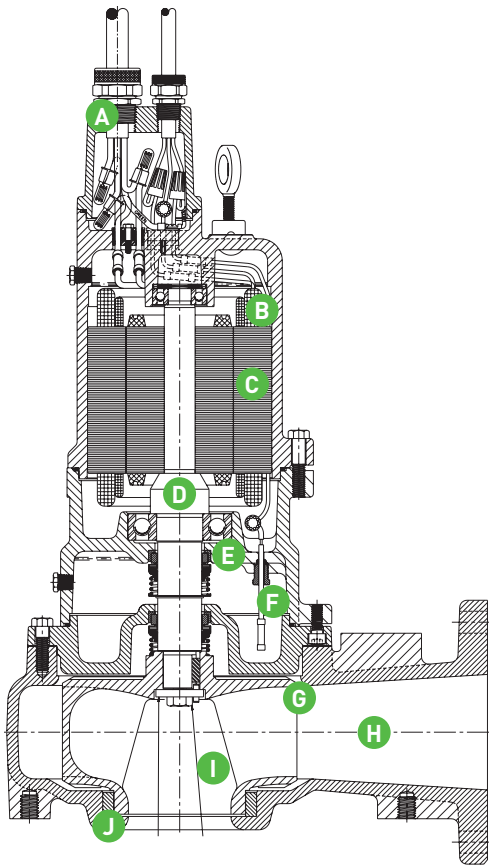
Capacities To	720 gpm	45.5 lpm
Heads To	59 ft.	17.9 m
Solids Handling (dia.)	3 in.	76 mm
Liquids Handling	raw unscreened sewage, effluent, storm water	
Intermittent Liquid Temp.	up to 140°F	up to 60°C
Winding Insulation Temp. (Class B)	311°F	155°C
Motor Electrical Data	1750 RPM	
<small>(Single phase motors are capacitor start type. Myers control panels or capacitor kits are recommended for proper operation and warranty.)</small>	3-5 HP, 230V, 1Ø, 60 Hz	
	3-10 HP, 208/230/460/575V, 3Ø, 60 Hz	
Std. Third Party Approvals	CSA	
Acceptable pH Range	6 - 9	
Specific Gravity	.9 - 1.1	
Viscosity	28 - 35 SSU	
Discharge, Flanged Centerline (Horiz. or Vert.)	4 in.	101.6 mm
Min. Sump Diameter		
Duplex	60 in.	1.5 m

Note: Consult factory for applications outside these recommendations.

Construction Materials

Motor Housing, Seal Housing, Cord Cap and Volute Case	cast iron, Class 30, ASTM A48
Enclosed 2-Vane Impeller	ductile iron, Class 65, ASTM A536
Power Cord	SOOW, W
Control Cord	SOOW
Mechanical Seals:	double tandem, type 21
Standard	carbon and ceramic
Optional	tungsten, carbide
Pump, Motor Shaft	416 SST
Fasteners	300 Series SST
Wear Ring	brass

Pump Features and Applications



A. Cable Entry System

Provides double seal protection. Cable jacket sealed by compression grommet. Individual wires sealed by epoxy potting.

B. Heat Sensors on Motor Winding

Protect motor from burnout due to excessive heat from any overload condition. Automatically resets when motor has cooled.

C. Motor Stator

Shrunk in shell for perfect alignment and best heat transfer. Oil-filled for continuous lubrication of bearings and seals.

D. Heavy Stainless Steel Shaft

Prevents deflection from impeller radial loads when pump operates at heads higher than peak efficiency range.

E. Double Tandem Shaft Seals

Protect motor, operate in clean oil.

F. Seal Leak Probe

Detects water in seal housing. Activates warning light in control panel.

G. Pump-Out Vanes

Help keep trash from seal, reduce pressure at seal faces.

H. Horizontal Discharge Volute Case

4" flanged.

VERTICAL DISCHARGE VOLUTE CASE
(not shown)

Includes support legs. 4" flanged.

I. High Efficiency Impeller

Two-vane rounded port, solids handling design.

J. Brass Wear Ring

Prevents rust buildup and reduces leakage and wear. Replaceable to restore original running clearance and pump efficiencies.

High Efficiency Hydraulic Design Cuts Pumping Costs and Extends Life of Fluid End Components.

- Two-vane rounded port impellers handle solids with ease at high operating efficiencies.
- Modified constant velocity volute offers quiet operation, low radial loads over extended portion of performance curve.

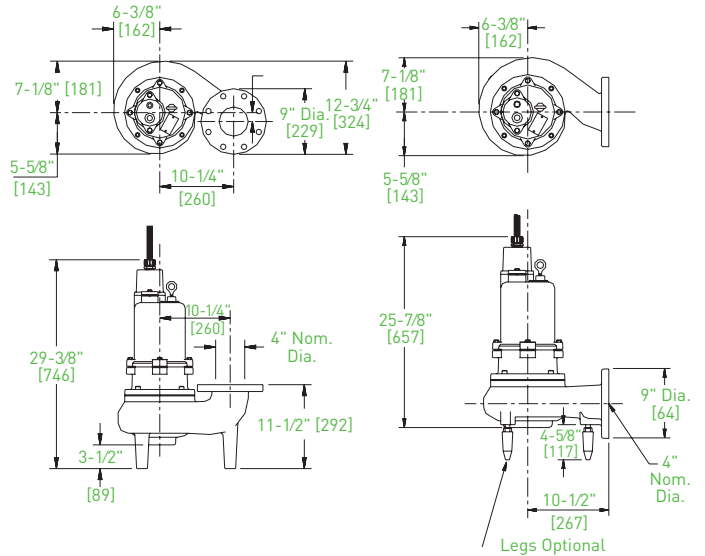
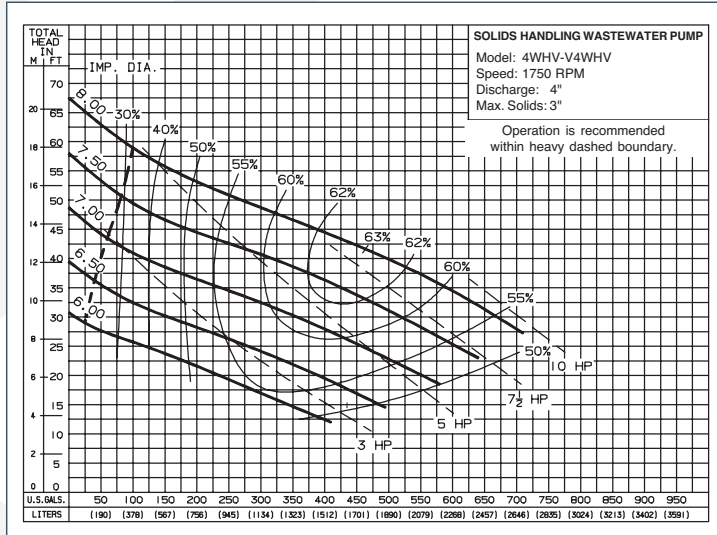
Durable Motor Will Deliver Many Years of Reliable Service.

- Oil-filled motor for maximum heat dissipation and constant bearing lubrication.
- Heat sensor thermostats embedded in windings protect motor from overheat conditions.
- Seal leak probe in seal chamber warns of moisture entry; helps prevent costly motor burnout.

Performance Data and Dimensions

[Dimensions in mm]

1750 RPM



Pump performance is based on clear water (1.0 specific gravity @ 68°F) and pump fluid end (hydraulic) efficiency. Motor data based on 40°C ambient temperature.

Available Models		Motor Electrical Data										
Standard	HP	Volts	Phase	Hertz	Start Amps	Full Load Amps	Service Factor Amps	Full Load kW	Start KVA	Full Load KVA	NEC Code Letter	Service Factor
4WHV30M4-21	3	230	1	60	98	17.5	20.2	3.4	22.5	4	S	1.2
4WHV30M4-03	3	208	3	60	51	15	17	4.5	18.4	5.6	G	1.2
4WHV30M4-23	3	230	3	60	46	12	15.2	4.3	18.3	5.2	G	1.2
4WHV30M4-43	3	460	3	60	23	6	7.6	4.3	18.3	5.2	G	1.2
4WHV30M4-53	3	575	3	60	19	5	6	4.4	18.9	5.2	H	1.2
4WHV50M4-21	5	230	1	60	108	34	44	6.7	24.8	7.8	E	1.2
4WHV50M4-03	5	208	3	60	106	21.6	26	6.1	38.1	7.8	J	1.2
4WHV50M4-23	5	230	3	60	96	18	21.6	6	38.2	7.2	J	1.2
4WHV50M4-43	5	460	3	60	48	9	10.8	6	38.2	7.2	J	1.2
4WHV50M4-53	5	575	3	60	39	7.2	8.6	6.1	38.8	7.2	J	1.2
4WHV75M4-03	7.5	208	3	60	135	32.2	37	9.3	48.6	11.6	H	1.2
4WHV75M4-23	7.5	230	3	60	122	28	33	9.1	48.5	11.1	H	1.2
4WHV75M4-43	7.5	460	3	60	61	14	16.5	9.1	48.5	11.1	H	1.2
4WHV75M4-53	7.5	575	3	60	49	11.2	13	8.9	48.7	11.1	H	1.2
4WHV100M4-03	10	208	3	60	135	38.5	38.5	11.1	48.6	13.9	E	1.0
4WHV100M4-23	10	230	3	60	122	32.7	32.7	10.9	48.5	13.0	E	1.0
4WHV100M4-43	10	460	3	60	61	16.3	16.3	10.9	48.5	13.0	E	1.0
4WHV100M4-53	10	575	3	60	49	13.8	13.8	10.7	48.7	13.7	E	1.0

Motor Efficiencies and Power Factor									
Motor Efficiency %					Power Factor %				
HP	Phase	Service Factor Load	100% Load	75% Load	50% Load	Service Factor Load	100% Load	75% Load	50% Load
3	1	69	68	65	57	87	85	81	73
3	3	68	71	71	67	87	88	87	83
5	1	64	69	68	61	86	87	84	75
5	3	76	76	75	70.5	85	82	75	63
7.5	3	75	76	75	71	83	80	71	60
10	3	75	75	76	74	83	83	77	66



1101 MYERS PARKWAY
 ASHLAND, OHIO 44805
 PH: 855-274-8948
 WWW.FEMYERS.COM

490 PINEBUSH ROAD, UNIT 4
 CAMBRIDGE, ONTARIO, CANADA N1T 0A5
 PH: 800-387-4386 ORDERS FAX: 888-606-5484
 WWW.FEMYERS.COM

Because we are continuously improving our products and services, Pentair reserves the right to change specifications without prior notice.
 K3240 10/03/17 © 2017 Pentair plc. All Rights Reserved.