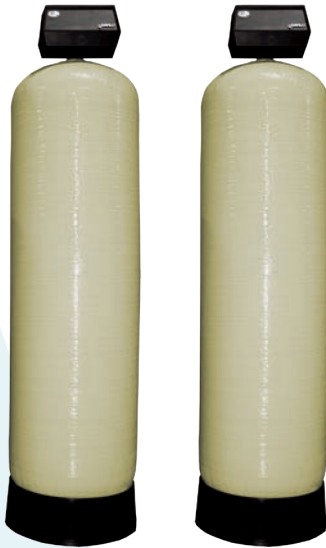


## 'MFG' Series Media Filter Systems



### Overview

The Marlo 'MFG' Series automatic backwashing media filter system is designed to provide the highest quality in water filtration equipment while covering a wide variety of commercial applications including turbidity reduction, iron removal, and chlorine removal. A broad range of filter media and component options are offered to fit your exact specifications.

#### 'MID' Multi-Media Filters

High efficiency, in-depth filter system using a layered media bed of anthracite, silica sand, and two grades of garnet for excellent filtration down to the order of 5 - 10 micron.

#### 'MZA' Natural Zeolite Filters

An alternative, single media approach to traditional multi-media filters that achieves a finer filtration to 3-5 micron with longer service run times.

#### 'MGA' Iron Removal Filters

Filter system capable of reducing iron, manganese, and hydrogen sulfide using manganese greensand filter media.

#### 'ACA' Carbon Filters

Granular Activated Carbon (GAC) is designed for the reduction of chlorine, taste, odor, and dissolved organic material from municipal and industrial water supplies.

### Standard Equipment & Features

- Control Valve:
  - Top Mount, Multi-port Type, Low Lead Brass
    - Fleck 2750 - 1" Valve
    - Fleck 2850 - 1-1/2" Valve
    - Fleck 3150 - 2" Valve
    - Fleck 3900 - 3" Valve
- Resin Tanks: Fiberglass reinforced polyethylene - (FRP) NSF 44 certified
- Internal Distributors: Sch 80 PVC/ABS
- 12-Day Timeclock Initiated Backwash Cycle (Electro-mechanical)
- Automatic Backwash Flow Controller

### Operating Parameters

- Inlet Pressure: 30-100 psig
- Electrical: 120VAC, 1-Phase, 60 Hz
- 120/24 VAC, 50/60 Hz wall mount transformer (Digital Control Valves Only)
- Temperature: 35-100 °F

### Options Available

- Skid mounted, pre-piped, pre-wired systems
- Multi-tank system configurations (twin, triple, quad)
- Fleck XT/NXT Digital Control Timers
- ASME Stamped Pressure vessels (18" dia. & higher)
- Inlet/Outlet pressure gauges and sample valves
- Differential pressure switch backwash cycle
- Separate Source Backwash Cycle
- Recirculation Pumps (Cooling Towers)
- Backwash Water Supply Pumps
- Alternate filter media (Birm, Filter-AG, Calcite)
- RO Lockout Switch
- Greensand Intermittent Regenerant Tank Systems
- Greensand Continuous Regeneration Systems

# Specifications

**MZA - Natural Zeolite Filter Specifications (Turbidity Reduction)**

CATALOG NUMBER	FLOW RATES		PIPE SIZE		MEDIA	TANK SIZE	OVERALL DIMENSIONS (INCHES)			SHIPPING WEIGHT (LBS) ⑤	
	SERVICE		BACK WASH	SERVICE			DRAIN	SINGLE (L1xWxH)	TWIN (L2xWxH)		SINGLE
	CONT. GPM ①	PEAK GPM									
MZA-10G-1	5	10	8	1	1	1	10x54	10x10x62	32x10x62	190	
MZA-12G-1	8	16	12	1	1	2	12x52	12x12x60	36x12x60	240	
MZA-14G-1	10	20	15	1	1	3	14x65	14x14x73	40x14x73	315	
MZA-16G-1	14	28	20	1	1	4	16x65	16x16x73	44x16x73	380	
MZA-16G-1-1/2	14	28	20	1-1/2	1	4	16x65	16x16x73	44x16x73	385	
MZA-18G-1	18	36	25	1	1-1/2	5	18x65	18x18x75	48x18x75	465	
MZA-18G-1-1/2	18	36	25	1-1/2	1-1/2	5	18x65	18x18x75	48x18x75	470	
MZA-21G-1-1/2	24	48	35	1-1/2	1-1/2	7	21x62	21x21x75	54x21x75	625	
MZA-24G-1-1/2	31	62	50	1-1/2	2	10	24x72	24x24x83	60x24x83	850	
MZA-24G-2	31	62	50	2	2	10	24x72	24x24x86	60x24x86	870	
MZA-30G-2	49	98	70	2	2	15	30x72	30x30x86	72x30x86	1,295	
MZA-36G-2	70	100	105	2	3	20	36x72	36x36x86	84x36x86	1,980	
MZA-36G-3	70	140	105	3	3	20	36x72	36x36x91	84x36x91	2,060	

**MID - Multimedia Filter Specifications (Turbidity Reduction)**

CATALOG NUMBER	FLOW RATES		PIPE SIZE		MEDIA	TANK SIZE	OVERALL DIMENSIONS (INCHES)			SHIPPING WEIGHT (LBS) ⑤	
	SERVICE		BACK WASH	SERVICE			DRAIN	SINGLE (L1xWxH)	TWIN (L2xWxH)		SINGLE
	CONT. GPM ①	PEAK GPM									
MID-10G-1	5	10	8	1	1	1	10x54	10x10x62	32x10x62	225	
MID-12G-1	8	16	12	1	1	2	12x52	12x12x60	36x12x60	310	
MID-14G-1	10	20	15	1	1	3	14x65	14x14x73	40x14x73	420	
MID-16G-1	14	28	20	1	1	4	16x65	16x16x73	44x16x73	520	
MID-16G-1-1/2	14	28	20	1-1/2	1	4	16x65	16x16x73	44x16x73	525	
MID-18G-1	18	36	25	1	1-1/2	5	18x65	18x18x75	48x18x75	640	
MID-18G-1-1/2	18	36	25	1-1/2	1-1/2	5	18x65	18x18x75	48x18x75	645	
MID-21G-1-1/2	24	48	35	1-1/2	1-1/2	7	21x62	21x21x75	54x21x75	870	
MID-24G-1-1/2	31	62	50	1-1/2	2	10	24x72	24x24x83	60x24x83	1,200	
MID-24G-2	31	62	50	2	2	10	24x72	24x24x86	60x24x86	1,220	
MID-30G-2	49	98	70	2	2	15	30x72	30x30x86	72x30x86	1,820	
MID-36G-2	70	100	105	2	3	20	36x72	36x36x86	84x36x86	2,680	
MID-36G-3	70	140	105	3	3	20	36x72	36x36x91	84x36x91	2,760	

**ACA - Activated Carbon Filter Specifications (Dechlorination)**

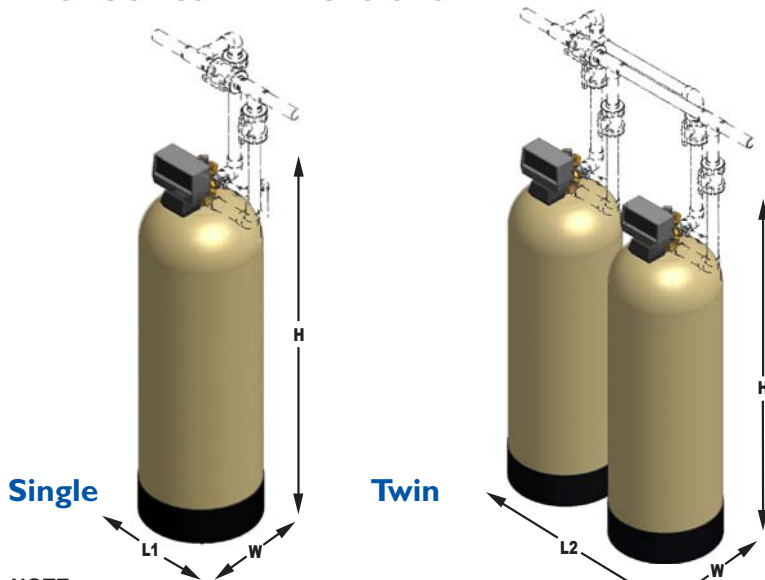
CATALOG NUMBER	FLOW RATES		PIPE SIZE		MEDIA	TANK SIZE	OVERALL DIMENSIONS (INCHES)			SHIPPING WEIGHT (LBS) ⑤	
	SERVICE		BACK WASH	SERVICE			DRAIN	SINGLE (L1xWxH)	TWIN (L2xWxH)		SINGLE
	CONT. GPM ①	PEAK GPM									
ACA-10G-1	2	4	5	1	3/4	1	10x54	10x10x62	32x10x62	165	
ACA-12G-1	4	8	8	1	1	2	12x52	12x12x60	36x12x60	195	
ACA-14G-1	6	12	10	1	1	3	14x65	14x14x73	40x14x73	250	
ACA-16-1	8	16	15	1	1	4	16x65	16x16x73	44x16x73	305	
ACA-16G-1-1/2	8	16	15	1-1/2	1	4	16x65	16x16x73	44x16x73	310	
ACA-18G-1	10	20	20	1	1	5	18x65	18x18x75	48x18x75	360	
ACA-18G-1-1/2	10	20	20	1-1/2	1	5	18x65	18x18x75	48x18x75	365	
ACA-21G-1-1/2	14	28	25	1-1/2	1-1/2	7	21x62	21x21x75	54x21x75	520	
ACA-24G-1-1/2	20	40	30	1-1/2	1-1/2	10	24x72	24x24x83	60x24x83	715	
ACA-24G-2	20	40	30	2	1-1/2	10	24x72	24x24x86	60x24x86	735	
ACA-30G-2	30	60	50	2	2	15	30x72	30x30x86	72x30x86	1,050	
ACA-36G-2	40	80	70	2	2	20	36x72	36x36x86	84x36x86	1,390	
ACA-36G-3	40	80	70	3	2	20	36x72	36x36x91	84x36x91	1,450	
ACA-42G-2	60	100	100	2	3	30	42x72	42x42x105	96x42x105	1,720	
ACA-42G-3	60	120	100	3	3	30	42x72	42x42x110	96x42x110	1,780	

**MGA - Manganese Greensand Filter Specifications (Iron Removal)**

CATALOG NUMBER	FLOW RATES		PIPE SIZE		MEDIA	TANK SIZE	OVERALL DIMENSIONS (INCHES)			SHIPPING WEIGHT (LBS) ⑤	
	SERVICE		BACK WASH	SERVICE			DRAIN	SINGLE (L1xWxH)	TWIN (L2xWxH)		SINGLE
	CONT. GPM ①	PEAK GPM									
MGA-10G-1	2	4	5	1	3/4	1	10x54	10x10x62	32x10x62	225	
MGA-12G-1	3	6	8	1	1	2	12x52	12x12x60	36x12x60	310	
MGA-14G-1	4	8	10	1	1	3	14x65	14x14x73	40x14x73	420	
MGA-16-1	6	12	15	1	1	4	16x65	16x16x73	44x16x73	520	
MGA-16G-1-1/2	6	12	15	1-1/2	1	4	16x65	16x16x73	44x16x73	525	
MGA-18G-1	7	14	20	1	1	5	18x65	18x18x75	48x18x75	640	
MGA-18G-1-1/2	7	14	20	1-1/2	1	5	18x65	18x18x75	48x18x75	645	
MGA-21G-1-1/2	10	20	25	1-1/2	1-1/2	7	21x62	21x21x75	54x21x75	870	
MGA-24G-1-1/2	13	26	30	1-1/2	1-1/2	10	24x72	24x24x83	60x24x83	1,200	
MGA-24G-2	13	26	30	2	1-1/2	10	24x72	24x24x86	60x24x86	1,220	
MGA-30G-2	20	40	50	2	2	15	30x72	30x30x86	72x30x86	1,820	
MGA-36G-2	30	60	70	2	2	20	36x72	36x36x86	84x36x86	2,680	
MGA-36G-3	30	60	70	3	2	20	36x72	36x36x91	84x36x91	2,760	
MGA-42G-2	40	80	100	2	3	30	42x72	42x42x105	96x42x105	3,520	
MGA-42G-3	40	80	100	3	3	30	42x72	42x42x110	96x42x110	3,580	

\* Sizing assumes inlet water supply of less than 2 ppm iron with continuous or intermittent regeneration with potassium permanganate (KMnO4).

## 'MFG' Series - Dimensions



NOTE: Installation piping (shown in broken lines) are provided by others.

## Notes

- At expected pressure loss not exceeding 5 psig, based on a clean filter bed
- Dimensions are estimate only. Actual dimensions may vary based on job-site space limits and piping layout. Allow a minimum of 24" above height dimension for media loading. Consult factory for dimensions on skid mounted systems.
- Shipping weights are estimate only. Weights include media and support gravel, which are added to the tanks after installation. Double weight for twin tank systems.